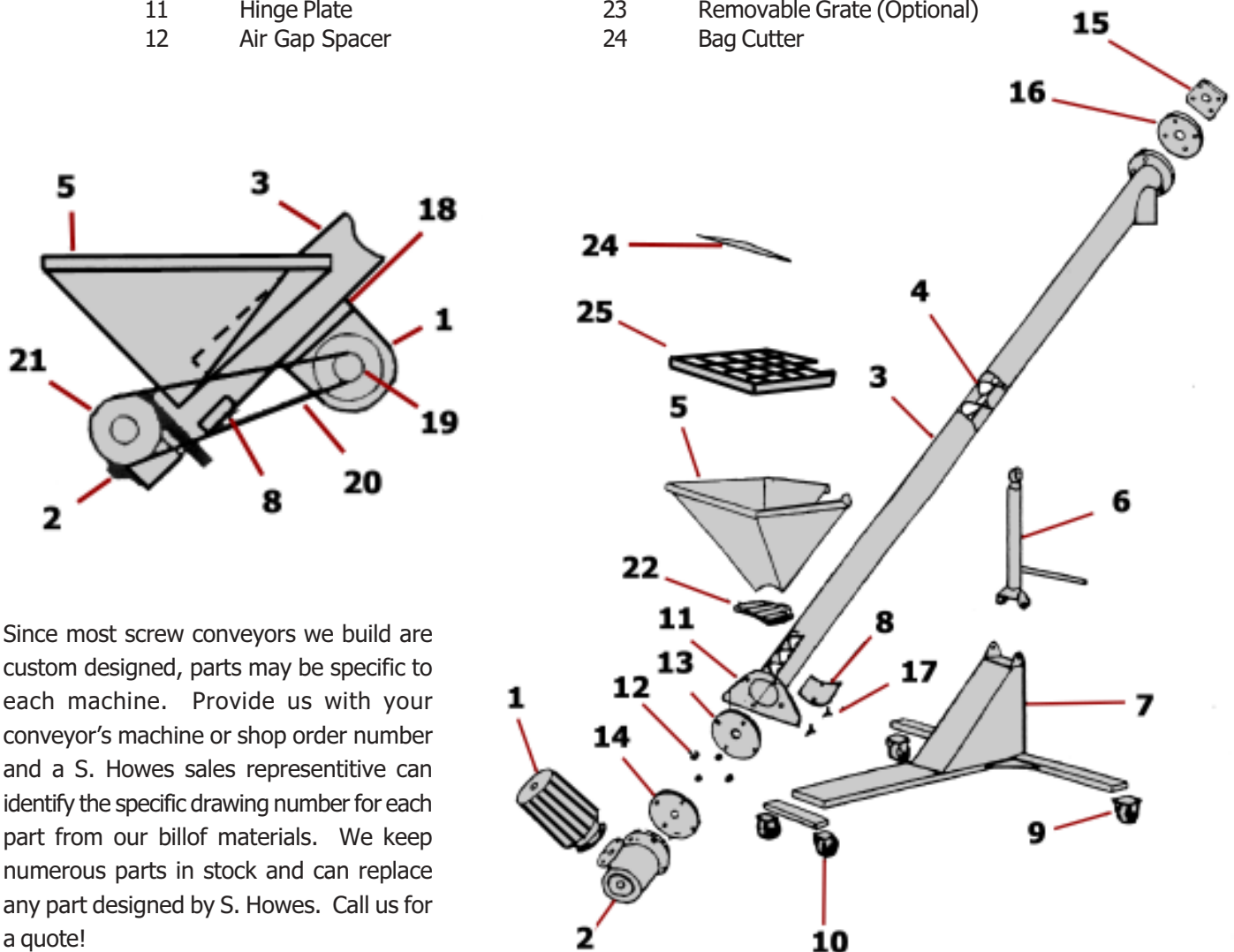


# SCREW CONVEYOR PARTS

*Proven Designs,  
Dependable Equipment*

## PARTS DIAGRAM

Item	Description	Item	Description
1	Motor	13	Product Seal Plte
2	Speed Reducer	14	Drive Seal Plate
3	Conveyor Tube	15	Bearing
4	Conveyor Flighting	16	Dicharge Seal Plate (Optional)
5	Hopper	17	Wing Bolt
6	Hydraulic Jack	18	Motor Mount (Optional)
7	Base Frame	19	Motor Sheave (Optional)
8	Clean Out Door	20	V-Belt (Optional)
9	Fixed Caster	21	Driven Sheave (Optional)
10	Swivel Caster	22	Inlet Gate
11	Hinge Plate	23	Removable Grate (Optional)
12	Air Gap Spacer	24	Bag Cutter



Since most screw conveyors we build are custom designed, parts may be specific to each machine. Provide us with your conveyor's machine or shop order number and a S. Howes sales representative can identify the specific drawing number for each part from our bill of materials. We keep numerous parts in stock and can replace any part designed by S. Howes. Call us for a quote!

**S. HOWES**  
Established 1856

Member  PROCESS EQUIPMENT MANUFACTURERS' ASSOCIATION

Phone: (716) 934-2611  
Toll Free: (888) 255-2611  
Fax: (716) 934-2081  
sales@showes.com

S. Howes, Inc.  
25 Howard St.  
Silver Creek, NY 14136  
www.showes.com