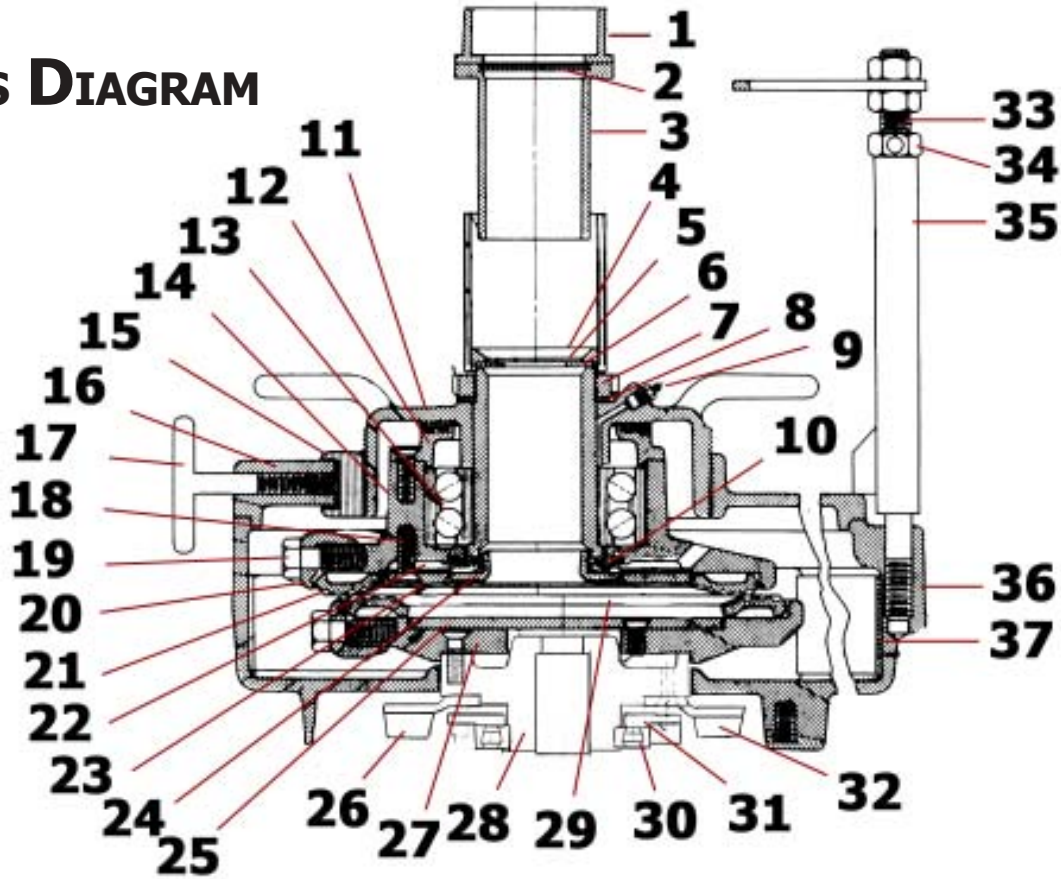


EUREKA GRANULATOR PARTS

Proven Designs,
Dependable Equipment

PARTS DIAGRAM



<u>Item</u>	<u>Description</u>	<u>Part Number</u>	<u>Item</u>	<u>Description</u>	<u>Part Number</u>
1	Feed Top	G14-9	20	Cutter Ring	G41-9
2	Feed Gate	G15-9	21	Up-Wear Plate Seal	G413-9
3	Feed Spout	G13-9	22	Upper Wear Plate	G411-9
4	Feed Spout Ring	G16-9B	23	Sleeve Wear Collar	G35-9
5	Feed Control Washer	G414-900	24	Lower Wear Plate	G412-9
6	Bearing Sleeve	G34-9	25	4 - 1/2 x 1 NC socket FCS -	
7	Feed Spout Sleeve	G16-9A	26	Drive Arrangement	see dwg.# 3984
8	AN20 Lock Nut	-	27	Rotor Plate	G8-9
9	W20 Lock Washer	-	28	Granulator Hub	5186-C
10	Retainer Ring	G34-91A	29	Cutter Rings (7 sizes available)	
11	Take Up	G24-9	30	Fag Roller Bearing	#22215MBC3
12	Bearing Housing Cap	G33-9	31	Brg. Cover (dwg 5183-C)	#32-115A
13	Bearing	5220	32	Fan (dwg 5183-C)	#32-114A
14	Lock Key	G23-9	33	Lid Clamp Bolt	G18-9
15	Lid	G2-9	34	Lid Clamp Nut	G19-9
16	Lock Screw	G-22-9	35	Lid Clamp	G17-9
17	12 - 1/2 x 1 3/4 NC	-	36	Frame	G1-9
18	8 - 5/8 x 2 NC CS	-	37	Liner	G12-9
19	Ring Clamps	G9-9			

S. HOWES

Established 1856

Member  PROCESS EQUIPMENT MANUFACTURERS' ASSOCIATION

Phone: (716) 934-2611
Toll Free: (888) 255-2611
Fax: (716) 934-2081
sales@showes.com

S. Howes, Inc.
25 Howard St.
Silver Creek, NY 14136
www.showes.com