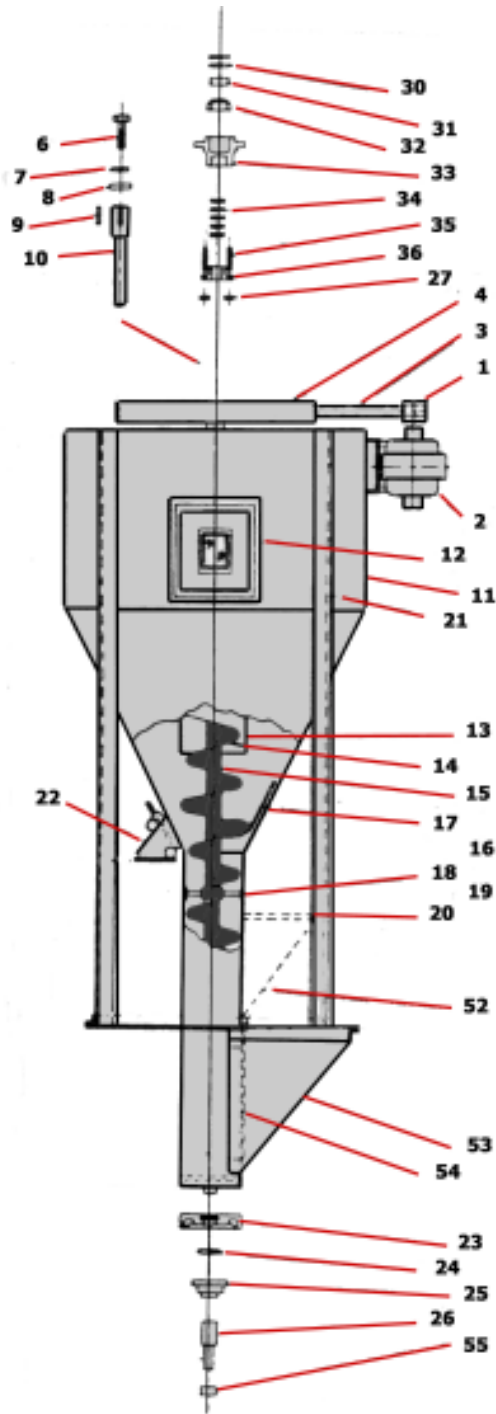


VERTICAL MIXER PARTS

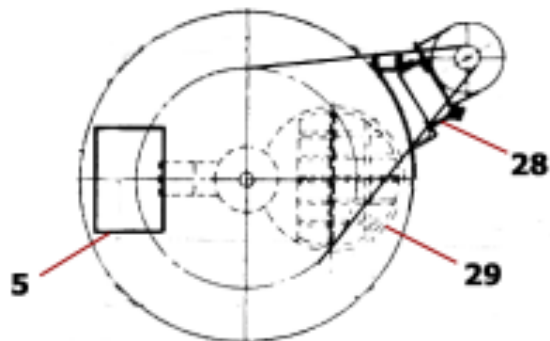
Proven Designs,
Dependable Equipment

PARTS DIAGRAM



- | | | | |
|----|--|----|---------------------------|
| 1 | Motor Sheave | 30 | Felt Packing |
| 2 | Motor | 31 | Steel Collar |
| 3 | Vee Belts | 32 | Top Bearing |
| 4 | Driven Sheave | 33 | Top Bearing Housing |
| 5 | Hatch | 34 | Garlock Packing |
| 6 | Cap Screw | 35 | Stud |
| 7 | Lock Washer | 36 | Packing Gland |
| 8 | Collar | 37 | Drive Sheave |
| 9 | Key | 38 | Cascade Type Hopper |
| 10 | Top Gudgeon | 39 | Conveyor Flighting |
| 11 | Mixer Tank | 40 | Conveyor Pipe |
| 12 | Inspection Door | 41 | Round Belt |
| 13 | Conveyor Tube | 42 | Ball Bearing, Flange Type |
| 14 | Conveyor Flighting | 43 | Key |
| 15 | Conveyor Pipe | 44 | Feed Conv. Gudgeon |
| 16 | Crescent Wings | 45 | Ball Bearing Pillow Block |
| 17 | Agitator | 46 | Driven Sheave |
| 18 | Center Bearing Housing | 47 | Take- Up Rod |
| 19 | Center Bearing | 48 | Hand Knob |
| 20 | Center Gudgeon | 49 | Idler Sheave |
| 21 | Steel Frame | 50 | Take-Up Shaft |
| 22 | Bag Spout | 51 | Grease Fitting |
| 23 | Lower Bearing Casting | 52 | Above Floor Hopper |
| 24 | Felt Packing | 53 | Level With Floor Hopper |
| 25 | Ball Bearing | 54 | Slide Gate |
| 26 | Lower Gudgeon | 55 | Collar |
| 27 | Nut | | |
| 27 | Hinged Motor Base | | |
| 29 | Hopper Grating, Rnd Hopper Grating, Sq | | |

Items 37 to 51 not shown. A S. Howes sales representative can assist with the identification of these parts.



Top View

S. HOWES
Established 1856

Member



PROCESS EQUIPMENT
MANUFACTURERS' ASSOCIATION

Phone: (716) 934-2611
Toll Free: (888) 255-2611
Fax: (716) 934-2081
sales@showes.com

S. Howes, Inc.
25 Howard St.
Silver Creek, NY 14136
www.showes.com